

# AI 23X/30X/36X/42X Speed Dome Network Camera



**DATASHEET**

## KEY FEATURES

- ▶ Smart IR II (Combining the High Beam and Low Beam to adjust IR intensity to fit different lighting conditions.)
- ▶ 140dB Super WDR (Excellent performance even when the ratio of the luminosity of brightest and darkest is up to 140dB.)
- ▶ 100fps High Frame Rate (Camera can easily catch images with no latency despite of the high-speed movement.)
- ▶ 0.002Lux Starlight (Deliver high detailed color images even in low light environment reaching 0.002Lux.)
- ▶ Smart PTZ Motion Detection (Pan and tilt to the position of motion detected area automatically and zoom in synchronously.)
- ▶ IR Distance up to 300m (Enabling 300 meters distinct images at night with IR LEDs.)
- ▶ 300 Preset Positions (The user can easily control the lens position via mouse to monitor interested area and set up to 300 preset positions for patrolling.)
- ▶ Keyboard Control (Shortcut keys for PTZ control via Keyboard.)
- ▶ Smart Stream (Bandwidth, storage and bit rate are saved with Smart Stream On, eg, H.265+ saves 70%~80% bandwidth that of H.264.)

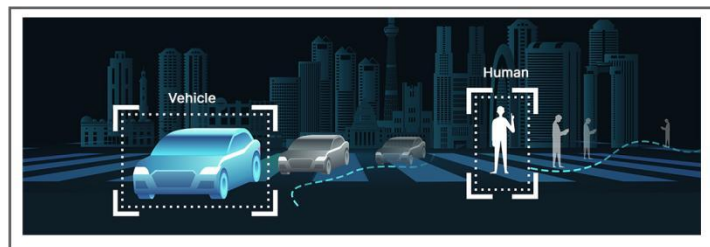
## AI Video Analytics

- 8 intelligent VCA modes powered by AI engine, which can intelligently filter objects to focus on human and vehicle detection.
- People Counting technology provides high accuracy and real-time data based on AI algorithm with statistic reports.
- Face Detection function detects human faces in the monitoring scene and captures the snapshots, which greatly enhances the monitoring efficiency.



## Intelligent PTZ Auto Tracking

With AI detection, the Network Camera could leverage motor mechanism to perform Pan/Tilt/Zoom to track the moving human or vehicle automatically and adjust zoom status flexibly according to the target distance with the powerful optical zoom capability.



## Up to 42X Optical Zoom

Embedded with optical zoom lens, the cameras' resolution is up to 42X optical zoom which allows the user to zoom up to distant objects while still maintaining the clarity and delivering high quality video over the entire zoom range.



## 30fps@4K

Providing 4K HD resolution with frame rate of 30fps, the camera performs well in catching detailed image regardless of the moving speed.



# AI 23X/30X/36X/42X Speed Dome Network Camera



|                          | Model   | MS-C2841-X36TPC<br>(2MP)   | MS-C2941-X23R(T)PC<br>(2MP)  | MS-C2941-X30R(T)PC<br>(2MP)                  | MS-C2941-X42R(T)PC<br>(2MP)           |
|--------------------------|---|--|--|--|---------------------------------------|
| <b>Camera</b>            | Image Sensor  | 1/2" Progressive Scan CMOS   | 1/2.8" Progressive Scan CMOS   |  |                                       |
|                          | Min. Illumination   | Color: 0.002Lux@F1.55<br>B/W: 0Lux with IR on  | Color: 0.005Lux@F1.5<br>B/W: 0Lux with IR on                         | Color: 0.005Lux@F1.8<br>B/W: 0Lux with IR on |                                       |
|                          | WDR   | 140dB Super WDR Pro  | 140dB Super WDR<br>(Super WDR Pro is optional for T Series)          |  |                                       |
|                          | Shutter Time  | 1/100000s~1s   |  |  |                                       |
|                          | Digital Zoom  | 16X  |  |  |                                       |
|                          | Day/Night Mode  | Day/Night/Auto/Customize/Schedule  |  |  |                                       |
|                          | S/N   | >55dB  |  |  |                                       |
|                          | <b>Lens</b>   | Focal Length   | 5.7~205.2mm,<br><b>36X</b> Optical Zoom                              | 5~117mm,<br><b>23X</b> Optical Zoom          | 4.7~141mm,<br><b>30X</b> Optical Zoom |
| Zoom Speed               |   | Approx 7s (Wide-Tele)  | Approx 6s (Wide-Tele)  | Approx 6s (Wide-Tele)                        | Approx 7s (Wide-Tele)                 |
| Field of View            |   | H63°~H3°/D69°~D3°/<br>V38°~V1°   | H60°~H3°/D69°~D4°/<br>V35°~V2°                                       | H62°~H3°/D70°~D3°/<br>V37°~V1°               | H45°~H2°/D50°~D2°/<br>V27°~V1°        |
| Focus Control            |   | Auto/Semi-Auto/Manual  |  |  |                                       |
| Minimum Working Distance |   | 1500/1500mm<br>(Wide/Tele)   | 100/1500mm (Wide/Tele)   | 100/1500mm<br>(Wide/Tele)                    | 1200/1500mm<br>(Wide/Tele)            |
| Aperture                 |   | F1.55~F4.8   | F1.5~F3.5  | F1.5~F4.0                                    | F1.8~F6.5                             |
| Iris Control             |   | Auto   |  |  |                                       |
| <b>PTZ</b>               |   | Pan Range/Pan Speed  | 360°endless / Pan Manual Speed: 0.1~250°/s, Pan Preset Speed: 250°/s |  |                                       |
|                          | Tilt Range/Tilt Speed   | -5°~90°(Auto Flip) / Tilt Manual Speed: 0.1~160°/s, Tilt Preset Speed: 160°/s  |  |  |                                       |
|                          | Proportional Zoom   | Support  |  |  |                                       |
|                          | Preset Quantity   | 300  |  |  |                                       |
|                          | Patrol  | 8 Patrols, up to 48 presets each patrol  |  |  |                                       |
|                          | Pattern   | 4 Patterns   |  |  |                                       |
|                          | Auto Tracking   | Support  |  |  |                                       |
|                          | Power Off Memory  | Support  |  |  |                                       |
| Other Function           | Auto Scan, Auto Home, Preset Freezing, 3D Positioning, PTZ Limits, Initial Position |  |  |  |                                       |
| <b>IR</b>                | IR Distance   | Up to 300m   | Up to 200m   | Up to 200m<br>Up to 300m(Wiper Version)      | Up to 300m                            |
|                          | IR Angle  | Auto/Manual  |  |  |                                       |
| <b>Video</b>             | Max. Image Resolution   | 1920x1080  |  |  |                                       |
|                          | Primary Stream  | 60Hz: <b>100fps@(1920x1080)(Optional for T Series)</b> , 60fps@(1920x1080, 1280x960, 1280x720, 704x576)<br>50Hz: <b>100fps@(1920x1080)(Optional for T Series)</b> , 50fps@(1920x1080, 1280x960, 1280x720, 704x576) |  |  |                                       |
|                          | Secondary Stream  | 60Hz: 60fps@(704x576, 640x480, 640x360, 352x288, 320x240, 320x192, 320x180)<br>50Hz: 50fps@(704x576, 640x480, 640x360, 352x288, 320x240, 320x192, 320x180)   |  |  |                                       |
|                          | Tertiary Stream   | 60Hz: 30fps@(1920x1080, 1280x720, 704x576, 640x480, 640x360, 320x240, 320x192, 320x180)<br>50Hz: 25fps@(1920x1080, 1280x720, 704x576, 640x480, 640x360, 320x240, 320x192, 320x180)                                 |  |  |                                       |
|                          | Video Compression   | H.265*/H.265(HEVC)/H.264*/H.264/MJPEG  |  |  |                                       |
|                          | Video Bit Rate  | 16Kbps~16Mbps(CBR/VBR Adjustable)  |  |  |                                       |
|                          | Privacy Masking   | Up to 28 areas(24 mask areas and 4 mosaic areas)   |  |  |                                       |
|                          | ROI   | Up to 8 areas  |  |  |                                       |
|                          | Image Setting   | Brightness/Contrast/Saturation/Sharpness   |  |  |                                       |

# AI 23X/30X/36X/42X Speed Dome Network Camera



|                              |                        |  |                                |                                   |
|------------------------------|------------------------|--|--------------------------------|-----------------------------------|
| <b>Interface</b>             | Ethernet               | 1*RJ45 10M/100M Ethernet Port  |                                |                                   |
|                              | Audio I/O              | 1/1  |                                |                                   |
|                              | Alarm I/O              | 4/2  |                                |                                   |
|                              | RS485                  | Support  |                                |                                   |
| <b>Network</b>               | Network Storage        | NAS(Support NFS, SMB/CIFS), ANR  |                                |                                   |
|                              | Protocol               | IPv4/IPv6, ARP, TCP, UDP, RTCP, RTP, RTSP, RTMP, HTTP, HTTPS, DNS, DDNS, DHCP, FTP, NTP, SMTP, SNMP, UPnP, Bonjour, SIP, PPPoE, VLAN, 802.1x, QoS, IGMP, ICMP, SSL |                                |                                   |
| <b>Audio</b>                 | Audio Compression      | G.711/AAC/G.722/G.726  |                                |                                   |
|                              | Audio Sampling Rate    | 8/16/32/44.1/48KHz   |                                |                                   |
|                              | Audio Bit Rate         | 16~256kbps   |                                |                                   |
|                              | Two-way Audio          | Support  |                                |                                   |
| <b>Intelligent Analytics</b> | Video Analysis         | Region Entrance, Region Exiting, Advanced Motion Detection, Tamper Detection, Line Crossing, Loitering, Object Left, Object Removed                                |                                |                                   |
|                              | Face Detection         | Detect and capture faces, get real-time snapshots  |                                |                                   |
|                              | People Counting&Report | Count the number of people entering or exiting, up to 4 detection areas for regional people counting   |                                |                                   |
| <b>System</b>                | Storage                | Support microSD/SDHC/SDXC Card Local Storage, up to 256G   |                                |                                   |
|                              | Advanced Function      | BLC, HLC, 2D DNR, 3D DNR, Defog, AWB, EIS, IP Address Filtering, AGC, Anti-flicker, Corridor Mode, Deblur, Watermark   |                                |                                   |
|                              | SIP/VoIP Support       | Yes, Voice & Video-over-IP   |                                |                                   |
|                              | Event Trigger          | Motion Detection, Network Disconnection, External Input, Audio Alarm, etc.   |                                |                                   |
|                              | Event Action           | FTP Upload, SMTP Upload, SD Card Record, External Output, SIP Phone, PTZ Motion, HTTP Notification, etc.   |                                |                                   |
|                              | System Compatibility   | ONVIF Profile G & Q & S & T, API   |                                |                                   |
| <b>General</b>               | Working Condition      | Temperature: -40°C~60°C / Humidity: 0~90%(Non-condensing)  |                                |                                   |
|                              | Power Supply           | PoE (802.3at) / AC 24V/3A±10%  |                                |                                   |
|                              | Power Consumption      | 13W MAX / 23W MAX<br>(With IR on)  | 12W MAX / 24W MAX (With IR on) | 12W MAX / 23W MAX<br>(With IR on) |
|                              | Weather Proof/Housing  | Up to IP66-rated for Weather-resistant Performance / Vandal-proof IK10-rated Metal Housing(Optional)   |                                |                                   |
|                              | Heater                 | Support  |                                |                                   |
|                              | Wiper (Optional)       | Support  | -                              | Support                           |
|                              | Surge Protection       | 6KV  |                                |                                   |
|                              | Dimensions/Weight      | Φ205mmX308mm/4Kg   |                                |                                   |
|                              | Warranty               | 2 Years / 3 Years (Optional)   |                                |                                   |



# AI 23X/30X/36X/42X Speed Dome Network Camera



|                          | Model                 | MS-C5341-X23PC<br>(5MP)  | MS-C5341-X30PC<br>(5MP)                 | MS-C5341-X42PC<br>(5MP)                      | MS-C8241-X36PC<br>(4K)   |
|--------------------------|-----------------------|--|---|--|--|
| <b>Camera</b>            | Image Sensor          | 1/2.8" Progressive Scan CMOS   |   |  | 1/1.8" Progressive Scan CMOS   |
|                          | Min. Illumination     | Color: 0.008Lux@F1.5<br>B/W: 0Lux with IR on   |   | Color: 0.008Lux@F1.8<br>B/W: 0Lux with IR on | Color: 0.009Lux@F1.55<br>B/W: 0Lux with IR on  |
|                          | WDR                   | 120dB Super WDR  |   |  |  |
|                          | Shutter Time          | 1/100000s~1s   |   |  |  |
|                          | Digital Zoom          | 16X  |   |  |  |
|                          | Day/Night Mode        | Day/Night/Auto/Customize/Schedule  |   |  |  |
|                          | S/N                   | >55dB  |   |  |  |
|                          | <b>Lens</b>           | Focal Length   | 5~117mm,<br><b>23X</b> Optical Zoom     | 4.7~141mm,<br><b>30X</b> Optical Zoom        | 7~300mm,<br><b>42X</b> Optical Zoom  |
| Zoom Speed               |                       | Approx 6s (Wide-Tele)  | Approx 6s (Wide-Tele)                   | Approx 7s (Wide-Tele)                        | Approx 7s (Wide-Tele)  |
| Field of View            |                       | H55°~H3°/D68°~D4°<br>/V42°~V2°   | H58°~H3°/D71°~D3°<br>/V44°~V2°          | H43°~H2°/D53°~D2°<br>/V33°~V1°               | H66°~H3°/D72°~D3°<br>/V41°~V1°   |
| Focus Control            |                       | Auto/Semi-Auto/Manual  |   |  |  |
| Minimum Working Distance |                       | 100/1500mm<br>(Wide/Tele)  | 100/1500mm<br>(Wide/Tele)               | 1200/1500mm<br>(Wide/Tele)                   | 1500/1500mm<br>(Wide/Tele)   |
| Aperture                 |                       | F1.5~F3.5  | F1.5~F4.0                               | F1.8~F6.5                                    | F1.55~F4.8   |
| Iris Control             |                       | Auto   |   |  |  |
| <b>PTZ</b>               | Pan Range/Pan Speed   | 360°endless / Pan Manual Speed: 0.1~250°/s, Pan Preset Speed: 250°/s   |   |  |  |
|                          | Tilt Range/Tilt Speed | -5°~90°(Auto Flip) / Tilt Manual Speed: 0.1~160°/s, Tilt Preset Speed: 160°/s  |   |  |  |
|                          | Proportional Zoom     | Support  |   |  |  |
|                          | Preset Quantity       | 300  |   |  |  |
|                          | Patrol                | 8 Patrols, up to 48 presets each patrol  |   |  |  |
|                          | Pattern               | 4 Patterns   |   |  |  |
|                          | Auto Tracking         | Support  |   |  |  |
|                          | Power Off Memory      | Support  |   |  |  |
|                          | Other Function        | Auto Scan, Auto Home, Preset Freezing, 3D positioning, PTZ Limits, Initial Position  |   |  |  |
| <b>IR</b>                | IR Distance           | Up to 200m   | Up to 200m<br>Up to 300m(Wiper Version) | Up to 300m                                   |  |
|                          | IR Angle              | Auto/Manual  |   |  |  |
| <b>Video</b>             | Max. Image Resolution | 2592x1944  |   |  | 3840x2160  |
|                          | Primary Stream        | 60Hz: 30fps@(2592x1944), 45fps@(2048x1536),60fps@(1920x1080, 1280x960, 1280x720, 704x576)<br>50Hz: 25fps@(2592x1944), 45fps@(2048x1536),50fps@(1920x1080, 1280x960, 1280x720, 704x576) |   |  | 60Hz: 30fps@(3840x2160, 3072x2048, 2592x1944, 2592x1520, 2048x1536, 1920x1080, 1280x960, 1280x720, 704x576)<br>50Hz: 25fps@(3840x2160, 3072x2048, 2592x1944, 2592x1520, 2048x1536, 1920x1080, 1280x960, 1280x720, 704x576) |
|                          | Secondary Stream      | 60Hz: 30fps@(704x576, 640x480, 640x360, 352x288, 320x240, 320x192, 320x180)<br>50Hz: 25fps@(704x576, 640x480, 640x360, 352x288, 320x240, 320x192, 320x180)                             |   |  |  |
|                          | Tertiary Stream       | 60Hz: 30fps@(1920x1080, 1280x720, 704x576, 640x480, 640x360, 320x240, 320x192, 320x180)<br>50Hz: 25fps@(1920x1080, 1280x720, 704x576, 640x480, 640x360, 320x240, 320x192, 320x180)     |   |  |  |

# AI 23X/30X/36X/42X Speed Dome Network Camera

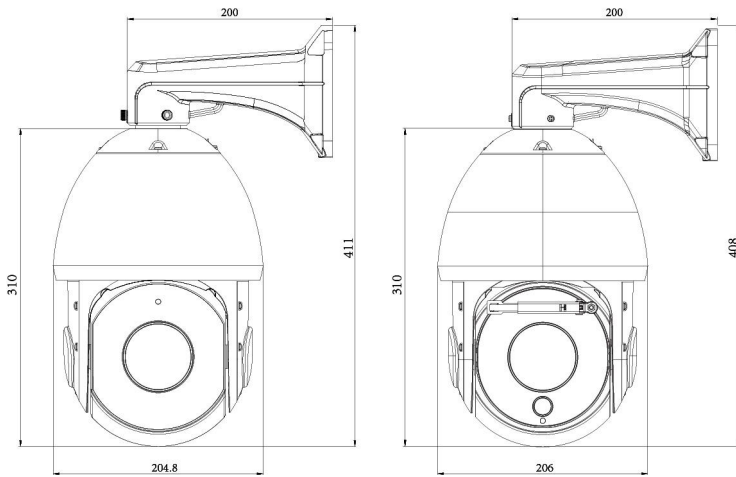
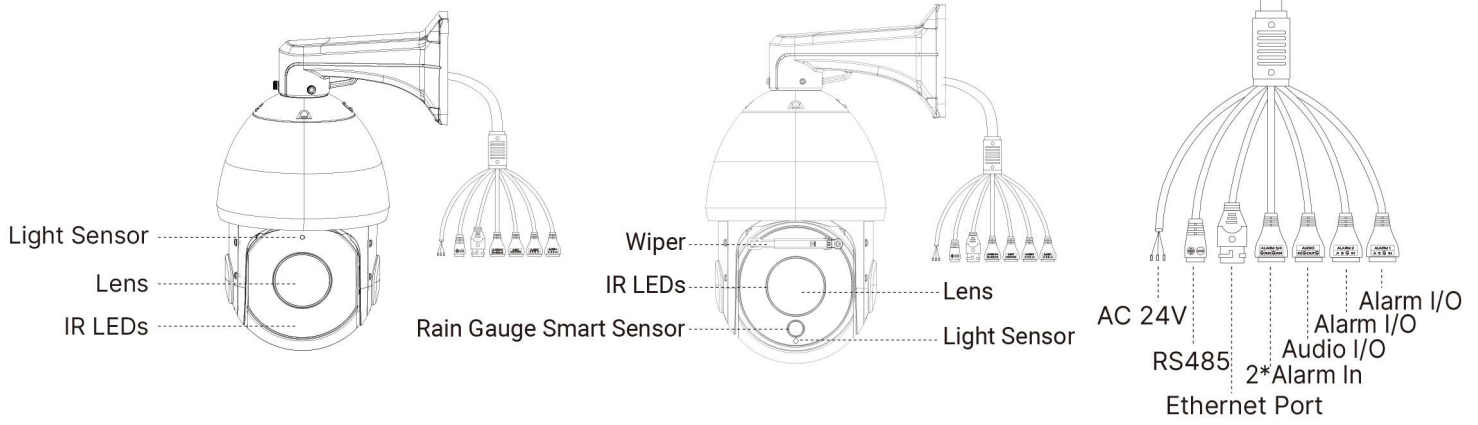


|                              |                        |  |                                |
|------------------------------|------------------------|--|--------------------------------|
| <b>Video</b>                 | Video Compression      | H.265+/H.265(HEVC)/H.264+/H.264/MJPEG  |                                |
|                              | Video Bit Rate         | 16Kbps~16Mbps(CBR/VBR Adjustable)  |                                |
|                              | Privacy Masking        | Up to 28 areas(24 mask areas and 4 mosaic areas)   |                                |
|                              | ROI                    | Up to 8 areas  |                                |
|                              | Image Setting          | Brightness/Contrast/Saturation/Sharpness   |                                |
| <b>Interface</b>             | Ethernet               | 1*RJ45 10M/100M Ethernet Port  |                                |
|                              | Audio I/O              | 1/1  |                                |
|                              | Alarm I/O              | 4/2  |                                |
|                              | RS485                  | Support  |                                |
| <b>Network</b>               | Network Storage        | NAS(Support NFS, SMB/CIFS), ANR  |                                |
|                              | Protocol               | IPv4/IPv6, ARP, TCP, UDP, RTP, RTSP, RTMP, HTTP, HTTPS, DNS, DDNS, DHCP, FTP, NTP, SMTP, SNMP, UPnP, Bonjour, SIP, PPPoE, VLAN, 802.1x, QoS, IGMP, ICMP, SSL |                                |
| <b>Audio</b>                 | Audio Compression      | G.711/AAC/G.722/G.726  |                                |
|                              | Audio Sampling Rate    | 8/16/32/44.1/48KHz   |                                |
|                              | Audio Bit Rate         | 16~256kbps   |                                |
|                              | Two-way Audio          | Support  |                                |
| <b>Intelligent Analytics</b> | Video Analysis         | Region Entrance, Region Exiting, Advanced Motion Detection, Tamper Detection, Line Crossing, Loitering, Object Left, Object Removed                          |                                |
|                              | Face Detection         | Detect and capture faces, get real-time snapshots  |                                |
|                              | People Counting&Report | Count the number of people entering or exiting, up to 4 detection areas for regional people counting   |                                |
| <b>System</b>                | Storage                | Support microSD/SDHC/SDXC Card Local Storage, up to 256G   |                                |
|                              | Advanced Function      | BLC, HLC, 2D DNR, 3D DNR, Defog, AWB, EIS, IP Address Filtering, AGC, Anti-flicker, Corridor Mode, Deblur, Watermark   |                                |
|                              | SIP/VoIP Support       | Yes, Voice & Video-over-IP   |                                |
|                              | Event Trigger          | Motion Detection, Network Disconnection, External Input, Audio Alarm, etc.   |                                |
|                              | Event Action           | FTP Upload, SMTP Upload, SD Card Record, External Output, SIP Phone, PTZ Motion, HTTP Notification, etc.   |                                |
|                              | System Compatibility   | ONVIF Profile G & Q & S & T, API   |                                |
| <b>General</b>               | Working Condition      | Temperature: -40°C~60°C / Humidity: 0~90%(Non-condensing)  |                                |
|                              | Power Supply           | PoE (802.3at) / AC 24V/3A±10%  |                                |
|                              | Power Consumption      | 12W MAX / 25W MAX (With IR on)   | 13W MAX / 25W MAX (With IR on) |
|                              | Weather Proof/Housing  | Up to IP66-rated for Weather-resistant Performance / Vandal-proof IK10-rated Metal Housing(Optional)   |                                |
|                              | Heater                 | Support  |                                |
|                              | Wiper (Optional)       | -  | Support                        |
|                              | Surge Protection       | 6KV  |                                |
|                              | Dimensions/Weight      | Φ205mmX308mm/4Kg   |                                |
|                              | Warranty               | 2 Years / 3 Years (Optional)   |                                |

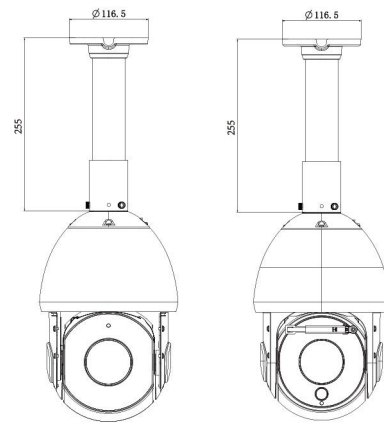
# AI 23X/30X/36X/42X Speed Dome Network Camera



## Structure Diagrams



Wall Mount



Ceiling Mount

Units: mm

## Accessories Support

### A41 Wall Mount(Default)

Weight: 400g  
Dimensions: 200\*129\*100mm



### A01 Pole Mount

Weight: 720g  
Dimensions: 170\*51.5\*152.6mm



### A03 External Corner Bracket

Weight: 900g  
Dimensions: 170\*152.5\*76.3mm



### A42 Pendant Mount

Weight: 650g  
Dimensions: 116.5\*255mm



### A42-L Extension Lever

Weight: 325g  
Dimension: 57\*255mm



### A43 Junction Box

Weight: 1000g  
Dimensions: 195\*164\*80mm



**Milesight** | [www.milesight.com](http://www.milesight.com)

Contact Us: [sales@milesight.com](mailto:sales@milesight.com) [support@milesight.com](mailto:support@milesight.com)

Add: 220 NE 51st Street, Oakland Park, Florida 33334, USA  
Tel: +1-800-561-0485

Add: 925, Anyang SK V1 Center, LS-ro 116beon-gil, Dongan-gu, Anvang-si, Korea  
Tel: +82-31-990-7732

Add: Building C09, Software Park Phase III, Xiamen 361024, Fujian, China  
Tel: +86-592-5922772

