

AI Pro Box Plus Network Camera

NDA A



DATASHEET



KEY FEATURES

- ▶ NDA A Compliance (The fully NDA A-compliant products are well suited for government, defense and a range of projects subject to the NDA A.)
- ▶ Auto Back Focus (Enabling camera to adjust back focal length automatically.)
- ▶ 0.001Lux Starlight (Deliver high detailed color images even in low light environment reaching 0.001Lux.)
- ▶ 140dB Super WDR (Excellent performance even when the ratio of the luminosity of brightest and darkest is up to 140dB.)
- ▶ Advanced Functions (Boasting to support various advanced functions such as HLC, ROI.)
- ▶ ICR Filter (Filtering the infrared ray out in the day, and automatically switch day and night mode.)
- ▶ RS485 port (Connecting an external electrical rotating bracket with the camera to realize PTZ control through WEB/ NVR/ CMS/ VMS/ APP interfaces.)
- ▶ 256G (Supporting ultra-large external microSD/SDHC/SDXC card storage up to 256G.)
- ▶ Smart Stream (Bandwidth, storage and bit rate are saved with Smart Stream On, eg, H.265+ saves 70%~80% bandwidth that of H.264.)

AI Video Analytics

- 8 intelligent VCA modes powered by AI engine, which can intelligently filter objects to focus on human and vehicle detection.
- People Counting technology provides high accuracy and real-time data based on AI algorithm with statistic reports.
- Face Detection function detects human faces in the monitoring scene and captures the snapshots, which greatly enhances the monitoring efficiency.



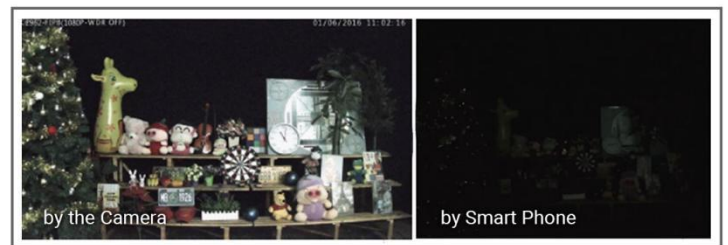
30fps@4K

Providing 4K HD resolution with frame rate of 30fps, the camera performs well in catching detailed image regardless of the moving speed.



0.001Lux Ultra Low-light

The starlight camera is able to deliver high detailed color images even in low light environment reaching 0.001Lux(Color) or 0Lux(B/W), and near infrared light environments without any supplementary lighting.



Various Zoom Lens Supported

The AI Pro Box Plus Camera allows the user to choose different zoom lens and the various lens can provide new perspectives, which perfectly caters to the needs for flexible surveillance.





| | Model | MS-C4452-R(E)PE (4MP) | MS-C2952-R(E)PE (2MP) |
|----------------|-----------------------|--|--|
| Camera | Image Sensor | 1/1.8" Progressive Scan CMOS | 1/2.8" Progressive Scan CMOS |
| | Min. Illumination | Color: 0.001Lux@F1.2 B/W: 0.0005Lux@F1.2 | Color: 0.002Lux@F1.2 B/W: 0.001Lux@F1.2 |
| | WDR | 140dB Super WDR | |
| | Mount | C/CS | |
| | Iris | P-Iris/DC-Iris | |
| | Shutter Time | 1/100000s~1s | |
| | Day/Night Mode | Day/Night/Auto/Customize/Schedule | |
| | S/N | >55dB | |
| Video | Max. Image Resolution | 2688x1520 | 1920x1080 |
| | Primary Stream | 60Hz: 60fps@(2688x1520, 2304x1296, 1920x1080, 1280x720) 50Hz: 50fps@(2688x1520, 2304x1296, 1920x1080, 1280x720) | 60Hz: 60fps@(1920x1080, 1280x960, 1280x720, 704x576) 50Hz: 50fps@(1920x1080, 1280x960, 1280x720, 704x576) |
| | Secondary Stream | 60Hz: 60fps@(704x576, 640x480, 640x360, 352x288, 320x240) 50Hz: 50fps@(704x576, 640x480, 640x360, 352x288, 320x240) | |
| | Tertiary Stream | 60Hz: 30fps@(1280x720, 704x576, 640x480, 640x360, 320x240) 50Hz: 25fps@(1280x720, 704x576, 640x480, 640x360, 320x240) | 60Hz: 30fps@(1920x1080, 1280x720, 704x576, 640x480, 640x360, 320x240) 50Hz: 25fps@(1920x1080, 1280x720, 704x576, 640x480, 640x360, 320x240) |
| | Video Compression | H.265*/H.265(HEVC)/H.264*/H.264/MJPEG | |
| | Video Bit Rate | 16Kbps~16Mbps(CBR/VBR Adjustable) | |
| | Privacy Masking | Up to 8 Areas (Mask Area and Mosaic Area are optional) | |
| | ROI | Up to 8 areas | |
| | Image Setting | Brightness/Contrast/Saturation/Sharpness | |
| | Interface | Ethernet | 1*RJ45 10M/100M Ethernet Port |
| Audio I/O | | 1/1 | |
| Alarm I/O | | 1/1 | |
| Network | Network Storage | NAS(Support NFS, SMB/CIFS), ANR | |
| | Protocol | IPv4/IPv6, ARP, TCP, UDP, RTCP, RTP, RTSP, RTMP, HTTP, HTTPS, DNS, DDNS, DHCP, FTP, NTP, SMTP, SNMP, UPnP, Bonjour, SIP, PPPoE, VLAN, 802.1x, QoS, IGMP, ICMP, SSL | |
| Audio | Audio Compression | G.711/AAC/G.722/G.726 | |
| | Audio Sampling Rate | 8/16/32/44.1/48KHz | |
| | Audio Bit Rate | 16~256kbps | |
| | Two-way Audio | Support | |

AI Pro Box Plus Network Camera



| | | |
|------------------------------|---|---|
| Intelligent Analytics | Video Analysis | Region Entrance, Region Exiting, Advanced Motion Detection, Tamper Detection, Line Crossing, Loitering, Object Left, Object Removed |
| | Face Detection&Face Attribute Recognition | Detect and capture faces, get real-time snapshots; The attributes include Age, Gender, Glasses, Mask and Cap; Support Faces Privacy Mode, the detected faces in the face detection area will be mosaic automatically. |
| | People Counting& Report | Count the number of people entering or exiting, up to 4 detection areas for regional people counting |
| System | Auto Back Focus | Support(Optional) |
| | Storage | Support microSD/SDHC/SDXC Card Local Storage, up to 256G |
| | Advanced Function | Heat Map, BLC, HLC, 2D DNR, 3D DNR, Defog, AWB, IP Address Filtering, AGC, Anti-flicker, Corridor Mode, Deblur, Watermark |
| | SIP/VoIP Support | Yes, Voice & Video-over-IP |
| | Event Trigger | Motion Detection, Network Disconnection, Audio Alarm, External Input, etc. |
| | Event Action | FTP Upload, SMTP Upload, SD Card Record, External Output, SIP Phone, HTTP Notification, etc. |
| | System Compatibility | ONVIF Profile G & Q & S & T, API |
| General | Working Temperature | -40℃~60℃ |
| | Working Humidity | 0~95%(Non-condensing) |
| | Power Supply | PoE (802.3af) / DC 12V ± 10% |
| | Power Consumption | 9W MAX for -PE Series 10W MAX for -EPE Series |
| | Weight | 427g(For ABF version)/366g(For Non-ABF version) |
| | Dimensions | 130mmX75mmX66mm |
| | Warranty | 3/5 Years |

AI Pro Box Plus Network Camera



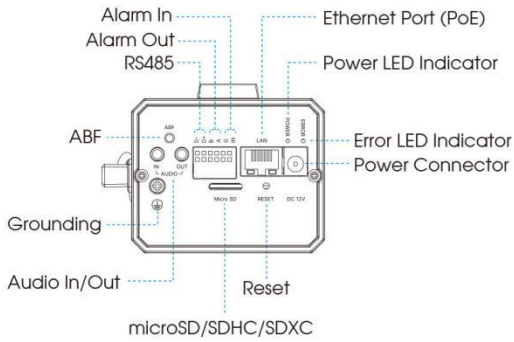
| | Model | MS-C5352-PE (5MP) | MS-C8152-PE (4K) |
|------------------|-----------------------|--|--|
| Camera | Image Sensor | 1/2.8" Progressive Scan CMOS | |
| | Min. Illumination | Color: 0.005Lux@F1.2 B/W: 0.002Lux@F1.2 | Color: 0.01Lux@F1.2 B/W: 0.005Lux@F1.2 |
| | WDR | 120dB Super WDR | |
| | Mount | C/CS | |
| | Iris | P-Iris/DC-Iris | |
| | Shutter Time | 1/100000s~1s | |
| | Day/Night Mode | Day/Night/Auto/Customize/Schedule | |
| | S/N | >55dB | |
| Video | Max. Image Resolution | 2592x1944 | 3840x2160 |
| | Primary Stream | 60Hz: 30fps@(2592x1944, 2592x1520, 2048x1536, 1920x1080, 1280x960, 1280x720, 704x576) 50Hz: 25fps@(2592x1944, 2592x1520, 2048x1536, 1920x1080, 1280x960, 1280x720, 704x576) | 60Hz: 30fps@(3840x2160, 3072x2048, 2592x1944, 2592x1520, 2048x1536, 1920x1080, 1280x960, 1280x720, 704x576) 50Hz: 25fps@(3840x2160, 3072x2048, 2592x1944, 2592x1520, 2048x1536, 1920x1080, 1280x960, 1280x720, 704x576) |
| | Secondary Stream | 60Hz: 30fps@(704x576, 640x480, 640x360, 352x288, 320x240) 50Hz: 25fps@(704x576, 640x480, 640x360, 352x288, 320x240) | |
| | Tertiary Stream | 60Hz: 30fps@(1920x1080, 1280x720, 704x576, 640x480, 640x360, 352x288, 320x240) 50Hz: 25fps@(1920x1080, 1280x720, 704x576, 640x480, 640x360, 352x288, 320x240) | |
| | Video Compression | H.265+/H.265(HEVC)/H.264+/H.264/MJPEG | |
| | Video Bit Rate | 16Kbps~16Mbps(CBR/VBR Adjustable) | |
| | Privacy Masking | Up to 8 Areas (Mask Area and Mosaic Area are optional) | |
| | ROI | Up to 8 areas | |
| | Image Setting | Brightness/Contrast/Saturation/Sharpness | |
| Interface | Ethernet | 1*RJ45 10M/100M Ethernet Port | |
| | Audio I/O | 1/1 | |
| | Alarm I/O | 1/1 | |
| Network | Network Storage | NAS(Support NFS, SMB/CIFS), ANR | |
| | Protocol | IPv4/IPv6, ARP, TCP, UDP, RTCP, RTP, RTSP, RTMP, HTTP, HTTPS, DNS, DDNS, DHCP, FTP, NTP, SMTP, SNMP, UPnP, Bonjour, SIP, PPPoE, VLAN, 802.1x, QoS, IGMP, ICMP, SSL | |
| Audio | Audio Compression | G.711/AAC/G.722/G.726 | |
| | Audio Sampling Rate | 8/16/32/44.1/48KHz | |
| | Audio Bit Rate | 16~256kbps | |
| | Two-way Audio | Support | |



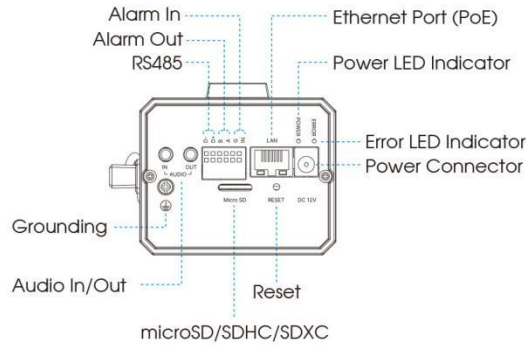
| | | |
|------------------------------|---|---|
| Intelligent Analytics | Video Analysis | Region Entrance, Region Exiting, Advanced Motion Detection, Tamper Detection, Line Crossing, Loitering, Object Left, Object Removed |
| | Face Detection&Face Attribute Recognition | Detect and capture faces, get real-time snapshots; The attributes include Age, Gender, Glasses, Mask and Cap; Support Faces Privacy Mode, the detected faces in the face detection area will be mosaic automatically. |
| | People Counting& Report | Count the number of people entering or exiting, up to 4 detection areas for regional people counting |
| System | Storage | Support microSD/SDHC/SDXC Card Local Storage, up to 256G |
| | Advanced Function | Heat Map, BLC, HLC, 2D DNR, 3D DNR, Defog, AWB, IP Address Filtering, AGC, Anti-flicker, Corridor Mode, Deblur, Watermark |
| | SIP/VoIP Support | Yes, Voice & Video-over-IP |
| | Event Trigger | Motion Detection, Network Disconnection, Audio Alarm, External Input, etc. |
| | Event Action | FTP Upload, SMTP Upload, SD Card Record, External Output, SIP Phone, HTTP Notification, etc. |
| | System Compatibility | ONVIF Profile G & Q & S & T, API |
| General | Working Temperature | -40°C~60°C |
| | Working Humidity | 0~95%(Non-condensing) |
| | Power Supply | PoE (802.3af) / DC 12V±10% |
| | Power Consumption | 8W MAX |
| | Weight | 366g |
| | Dimensions | 130mmX75mmX66mm |
| | Warranty | 3/5 Years |



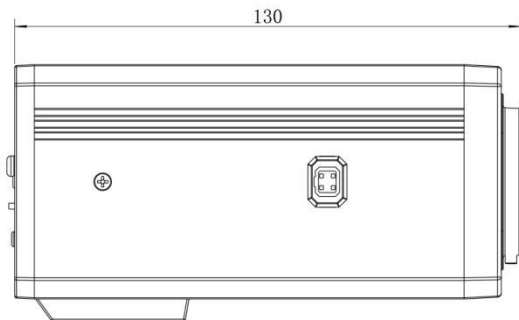
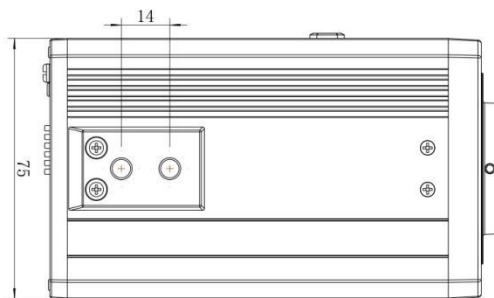
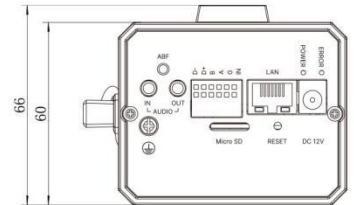
Structure Diagrams



(ABF)



(Non-ABF)



Units: mm

Accessories Support

A51 Protective Housing

Weight: 1988g

Dimensions: 380*150*H mm (H is adjustable)

